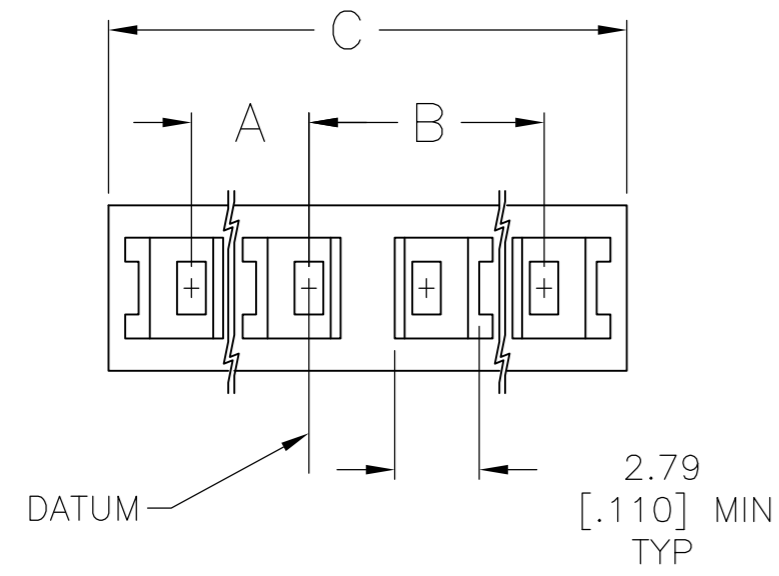
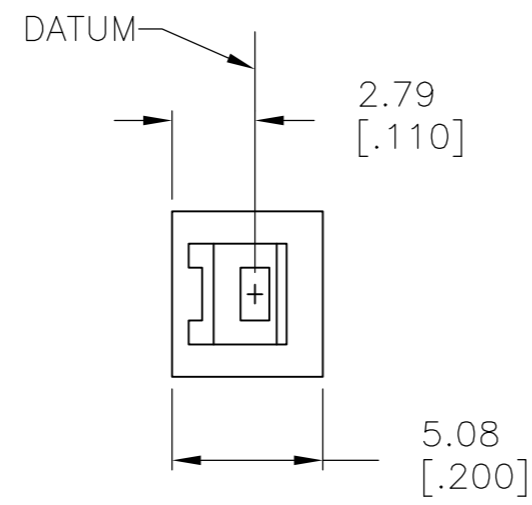


THIS DRAWING IS UNPUBLISHED. RELEASED FOR PUBLICATION
 © COPYRIGHT - By - ALL RIGHTS RESERVED.

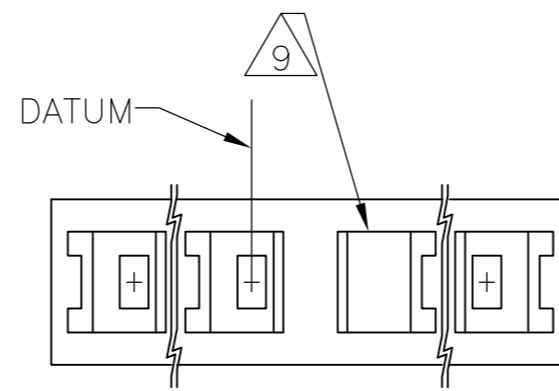
LOC		DIST		REVISIONS			
P	LTR	DESCRIPTION		DATE	DWN	APVD	
AD	00	J3	REVISED PER ECO-13-004580	26APR13	KH	JO	



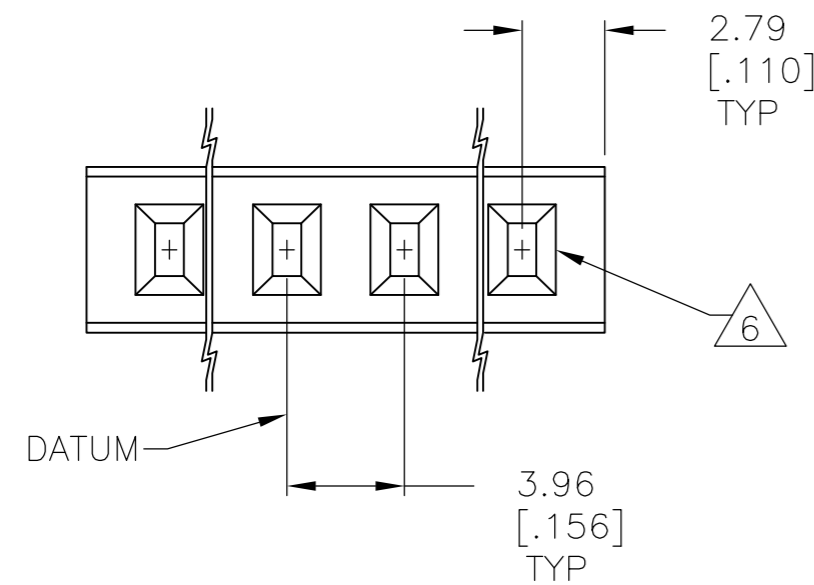
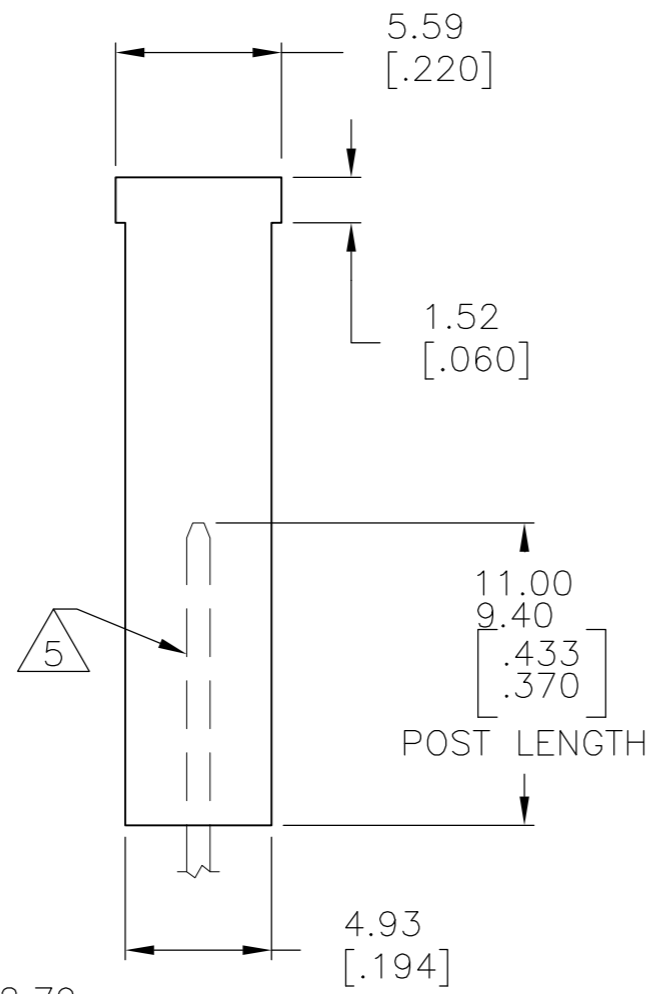
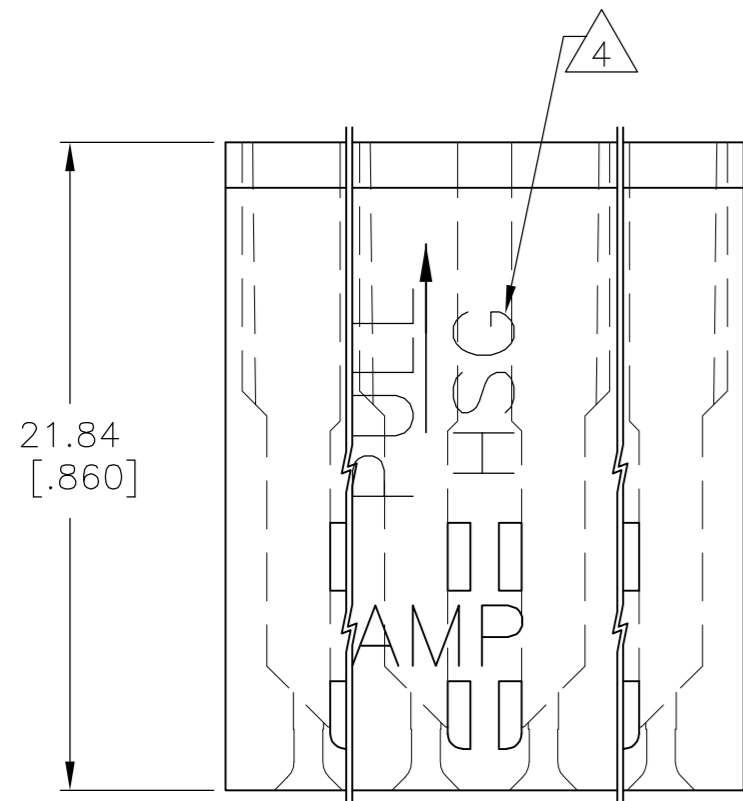
TOP VIEW $\triangle 8$



DETAIL X



DETAIL Y



- PULL ON HOUSING TO REMOVE FROM POSTS. DO NOT CONFINE THE CONDUCTORS OR PULL ON THE CONDUCTORS DURING REMOVAL ACTION.
 - IN ORDER FOR THIS HOUSING TO FUNCTION PROPERLY AS A CONNECTOR, THE CONTACTS (P/N 87278 SERIES) MUST BE CRIMPED ACCORDING TO AMP SPEC 114-25008.
- $\triangle 4$ MOLDED CHARACTERS THIS END.
 - $\triangle 5$.79[.031] X 1.57[.062] POST SHOWN FOR REFERENCE ONLY.
 - $\triangle 6$ CAVITY ACCEPTS 0.79[.031] X 1.57[.062] POST (TYPICAL).
 - $\triangle 7$ BOLD CAVITY INDICATES TYPICAL DATUM.
 - $\triangle 8$ THIS VIEW TO BE REFERENCED WITH CAVITY ORIENTATION CHART.
 - $\triangle 9$ NO POST ENTREE HOLE IN THIS LOCATION.
 - $\triangle 10$ SEE DETAIL X.
 - $\triangle 11$ SEE DETAIL Y.
 - $\triangle 12$ OBSOLETE PART NUMBER.
 - $\triangle 13$ OBSOLETE PARTS: OBSOLETE CIS STREAMLINING PER D.RENAUD/D.SINISI

		C	B		PART NUMBER
$\triangle 13$ OBSOLETE		53.14 [2.092]	23.77 [.936]	23.77 [.936]	13 1-87270-8
$\triangle 13$ OBSOLETE		45.21 [1.780]	19.81 [.780]	19.81 [.780]	11 1-87270-7
		37.29 [1.468]	15.85 [.624]	15.85 [.624]	9 1-87270-6
		29.36 [1.156]	11.89 [.468]	11.89 [.468]	7 1-87270-5
		21.44 [.844]	7.92 [.312]	7.92 [.312]	5 1-87270-4
		13.51 [.532]	3.96 [.156]	3.96 [.156]	3 1-87270-3
		25.40 [1.000]	11.89 [.468]	7.92 [.312]	5 OF 6 1-87270-2
$\triangle 13$ OBSOLETE		29.36 [1.156]	11.89 [.468]	11.89 [.468]	6 OF 7 1-87270-1
		21.44 [.844]	7.92 [.312]	7.92 [.312]	4 OF 5 1-87270-0
$\triangle 12$		57.10 [2.248]	27.74 [1.092]	23.77 [.963]	14 87270-9
		49.17 [1.936]	23.77 [.936]	19.81 [.780]	12 87270-8
		41.25 [1.624]	19.81 [.780]	15.85 [.624]	10 87270-7
		33.32 [1.312]	15.85 [.624]	11.89 [.468]	8 87270-6
		25.40 [1.000]	11.89 [.468]	7.92 [.312]	6 87270-5
		17.48 [.688]	7.92 [.312]	3.96 [.156]	4 87270-4
$\triangle 12$		17.48 [.688]	7.92 [.312]	3.96 [.156]	3 OF 4 87270-3
		9.55 [.376]	-	-	2 87270-2
		5.08 [.200]	-	-	1 87270-1

CAVITY ORIENTATION CHART C B PART NUMBER

THIS DRAWING IS A CONTROLLED DOCUMENT.

DIMENSIONS: mm [INCHES] TOLERANCES UNLESS OTHERWISE SPECIFIED:

0 PLC	± -
1 PLC	± -
2 PLC	± -
3 PLC	± 0.13 [.005]
4 PLC	± -
ANGLES	± -

MATERIAL: GLASS FILLED POLYESTER COLOR: BLACK FINISH: -

THIS DRAWING IS A CONTROLLED DOCUMENT. DWN: E.BRANDBERG 25FEB93, CHK: SCOTT A. SHUEY 25FEB93, APVD: SCOTT A. SHUEY 25FEB93, PRODUCT SPEC: - APPLICATION SPEC: - WEIGHT: -

TE Connectivity HOUSING, LOCKING CLIP, SINGLE ROW, .156 CENTERS FOR .031 X .062 POST

SIZE: A2 CAGE CODE: 00779 DRAWING NO: 87270 RESTRICTED TO: -

CUSTOMER DRAWING SCALE: 4:1 SHEET: 1 OF 1 REV: J3